



PTO tractor-driven
IP23 and IP44 generators



  ITALIAN QUALITY

**AGRI
TECHNICA** ®
THE WORLD'S NO. 1





ICONIC SINCE 2001



2001 AGROWATT brand pioneers the market of PTO generators with its unique 3-point-connection steel frame. An icon is born. Range up to 38 kVA 2 poles/compound IP23

2004 IP44 models. Range up to 63 kVA 4 poles brushless/AVR IP23

2008 Power extension up to 90 kVA 4 poles brushless/AVR IP23

2010 AGROWATT version for Norway

2013 AGROWATT version for Austria

2018 AGROWATT version for Germany

2023 Introducing

AGROWATT BUD

New large powers up to 140 kVA 4 poles brushless/AVR IP23 & IP44





The power of an icon

IP23
3 PHASE

BRUSHES / COMPOUND			2 POLES - 3000 RPM							
model	3ph 400V/50Hz p.f.0,8 kVA S1	1ph 230V/50Hz p.f.1 max kVA S1	η 4/4 p.f.0,8 %	gearbox rapp.ratio	driving power KW	tractor power recomm HP*	pto speed rated rpm**	pto shaft dimensioning Nm	mass Kg	drawing
AWT 2-13	13,5	5,4	82,9	1 : 7	13,4	42	430	442	116	A
AWT 2-16	16	6,4	84,5	1 : 7	15,6	49	430	514	125	A
AWT 2-18	18	7,2	85,4	1 : 7	17,4	55	430	573	134	A
AWT 2-24	24	8,8	83	1 : 7	21,9	69	430	720	144	A
AWT 2-27	27	10,8	85	1 : 7	26,2	83	430	863	149	A
AWT 2-31	31,5	12,6	86	1 : 7	30,2	95	430	995	189	B
AWT 2-38	38	15,2	88	1 : 7	35,6	112	430	1173	205	B

BRUSHES / COMPOUND			4 POLES - 1500 RPM							
model	3ph 400V/50Hz p.f.0,8 kVA S1	1ph 230V/50Hz p.f.1 max kVA S1	η 4/4 p.f.0,8 %	gearbox rapp.ratio	driving power KW	tractor power recomm HP*	pto speed rated rpm**	pto shaft dimensioning Nm	mass Kg	drawing
AWT 4-17	17,5	6,6	84,5	1 : 3,5	16,1	51	430	537	146	A
AWT 4-22	22	8,8	87	1 : 3,5	20,9	66	430	632	157	A
AWT 4-27	27	10,8	88	1 : 3,5	25,3	80	430	781	200	B
AWT 4-30	30	12	89,2	1 : 3,5	27,7	87	430	924	215	B

BRUSHLESS / AVR			4 POLES - 1500 RPM							
model	3ph 400V/50Hz p.f.0,8 kVA S1	1ph 230V/50Hz p.f.1 max kVA S1	η 4/4 p.f.0,8 %	gearbox rapp.ratio	driving power KW	tractor power recomm HP*	pto speed rated rpm**	pto shaft dimensioning Nm	mass Kg	drawing
AWB 4-17	17,5	7	84,4	1 : 3,5	17,1	54	430	531	177	B
AWB 4-22	22,5	8,8	84,8	1 : 3,5	21,4	68	430	641	190	B
AWB 4-25	25	10	84,7	1 : 3,5	24,3	77	430	799	205	B
AWB 4-30	30	12	87,6	1 : 3,5	29	92	430	956	228	B
AWB 4-45	45	18	87,5	1 : 3,5	42,4	124	430	1298	258	B
AWB 4-50	50	20	90	1 : 3,5	45,5	144	430	1498	298	B
AWB 4-65	65	26	90,7	1 : 3,8	59,6	202	400	2134	335	C
AWB 4-80	80	32	90,1	1 : 3,8	72,7	247	400	2603	362	C
AWB 4-100	100	40	91,3	1 : 3,8	89,7	297	400	3212	405	C
AWB 4-125	125	50	91,7	1 : 1,5	111,3	367	1000	1594	598	D
AWB 4-140	140	56	91,7	1 : 1,5	124,6	411	1000	1785	636	D

BUD

IP23
1 PHASE

BRUSHLESS / AVR		4 POLES - 1500 RPM							
model	1ph 230V/50Hz p.f.1 kVA S1	η 4/4 p.f.1 %	gearbox rapp.ratio	driving power KW	tractor power recomm HP*	pto speed rated rpm**	pto shaft dimensioning Nm	mass Kg	drawing
AWBM 4-22	22	83,5	1 : 3,5	27,1	56	430	904	228	B
AWBM 4-33	33	86,2	1 : 3,5	39,4	81	430	1314	298	B

IP44
3 PHASE

BRUSHLESS / AVR			4 POLES - 1500 RPM							
model	3ph 400V/50Hz p.f.0,8 kVA S1	1ph 230V/50Hz p.f.1 max kVA S1	η 4/4 p.f.0,8 %	gearbox rapp.ratio	driving power KW	tractor power recomm HP*	pto speed rated rpm**	pto shaft dimensioning Nm	mass Kg	drawing
AWB 4-15X	15,8	6,3	85,4	1 : 3,5	15,2	48	430	471	180	B
AWB 4-19X	19,8	7,9	85,8	1 : 3,5	19	60	430	570	192	B
AWB 4-22X	22,5	9	85,7	1 : 3,5	21,6	68	430	711	208	B
AWB 4-27X	27	10,8	88,6	1 : 3,5	25,8	81	430	850	230	B
AWB 4-40X	40,5	16,2	88,5	1 : 3,5	35,1	111	430	1155	261	B
AWB 4-45X	45	18	91,7	1 : 3,5	40,5	128	430	1333	301	B
AWB 4-58X	58,5	23,4	90,4	1 : 3,8	53	180	400	1897	339	C
AWB 4-72X	72	28,8	91,1	1 : 3,8	64,8	220	400	2320	366	C
AWB 4-90X	90	36	91,5	1 : 3,8	80,5	266	400	2884	409	C
AWB 4-90XS***	90	36	91,5	1 : 3,8	80,5	266	400	2884	409	C
AWB 4-115X	112	45	91,8	1 : 1,5	99,6	329	1000	1427	602	D
AWB 4-130X	126	50	91,8	1 : 1,5	112	370	1000	1605	640	D

BUD

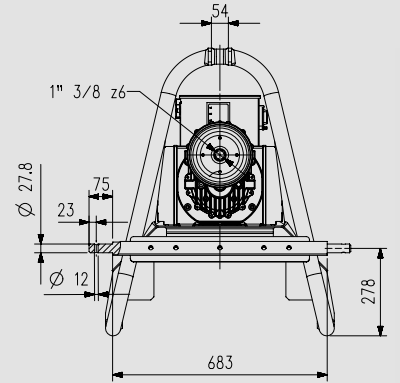
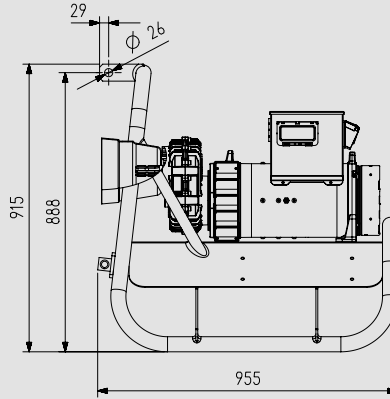
IP44
1 PHASE

BRUSHLESS / AVR		4 POLES - 1500 RPM							
model	1ph 230V/50Hz p.f.1 kVA S1	η 4/4 p.f.1 %	gearbox rapp.ratio	driving power KW	tractor power recomm HP*	pto speed rated rpm**	pto shaft dimensioning Nm	mass Kg	drawing
AWBM 4-20X	20	84,5	1 : 3,5	24,4	50	430	812	230	B
AWBM 4-30X	30	87,2	1 : 3,5	35,4	73	430	1181	301	B

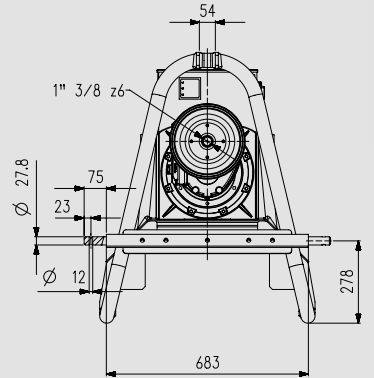
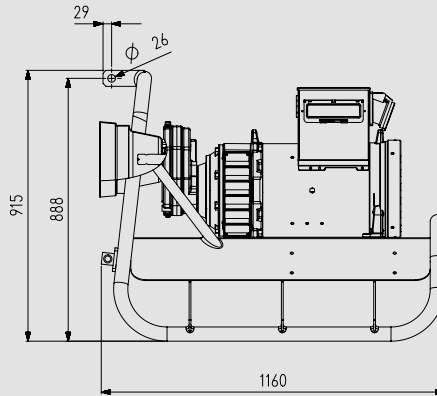
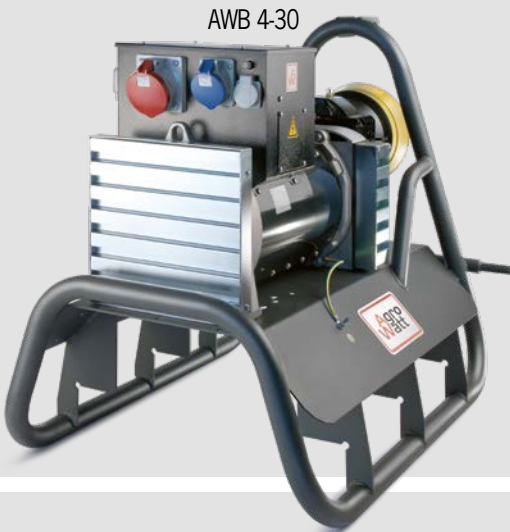
* approximate recommended tractor power (multiply by 0,736 to obtain kW) ** pto rpm necessary to obtain 50Hz *** VERSION WITH SINGLE POLE POWER CONNECTORS

1 original Italian design

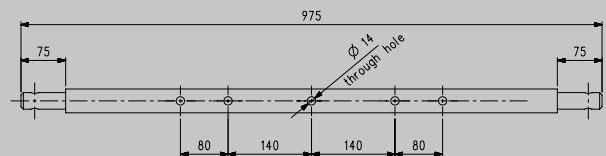
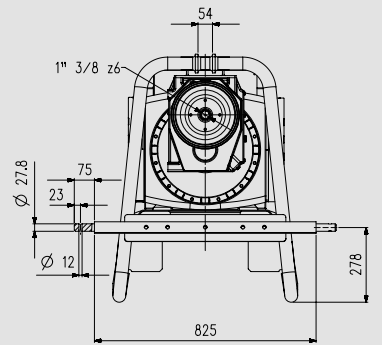
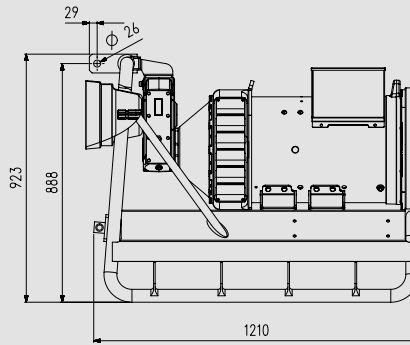
A



B



C



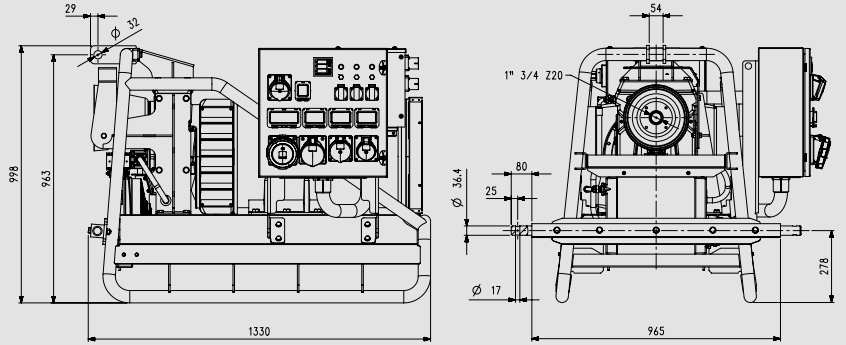
FIXING BAR EXTRA LENGHT 975 MM CATEGORY 2
On request for drawings A and B Standard for drawing C

D

AGROWATT BUD

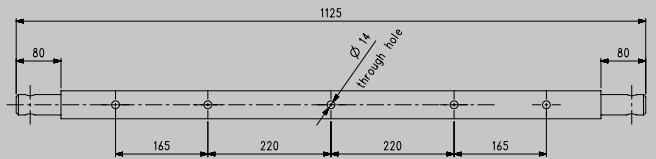


AWB 4-130X



- Gearbox 750 RPM or 1000 RPM
- Radiator
- Advanced features for control panel
- Superlative performance
- Single pole power connectors
- Easy use

FIXING BAR CATEGORY 3 Standard for Agrowatt BUD



2 versions for specific markets



AGROWATT meets the most severe international standards for PTO generators, confirming its global reputation as the market leading brand. Special executions are realized for specific markets like Austria, Germany and Norway with dedicated features like power connectors and deeply customized control panel. Safety is also crucial and AGROWATT generators for German market are certified PZ.LSV since 2017. *AGROWATT, always one step ahead!*



3 fast connection

1, 2, 3... READY!

- The unique design of AGROWATT allows simple and fast 3-point-connection to the tractor. The control panel features easy access to the equipment, making the tractor engine speed setting very quick.

- **PLUG & POWER!** 3-phase and 1-phase CEE sockets, to immediately connect the system.
- **PROTECTION FOR USERS AND EQUIPMENT.** MCB's Miniature Circuit Breakers (in case of overloads) + RCD Residual Current Device.



4 full control

To secure 24/7 farms from energy failure, AGROWATT means robustness, durability, power also in harsh and extreme conditions. And not only.

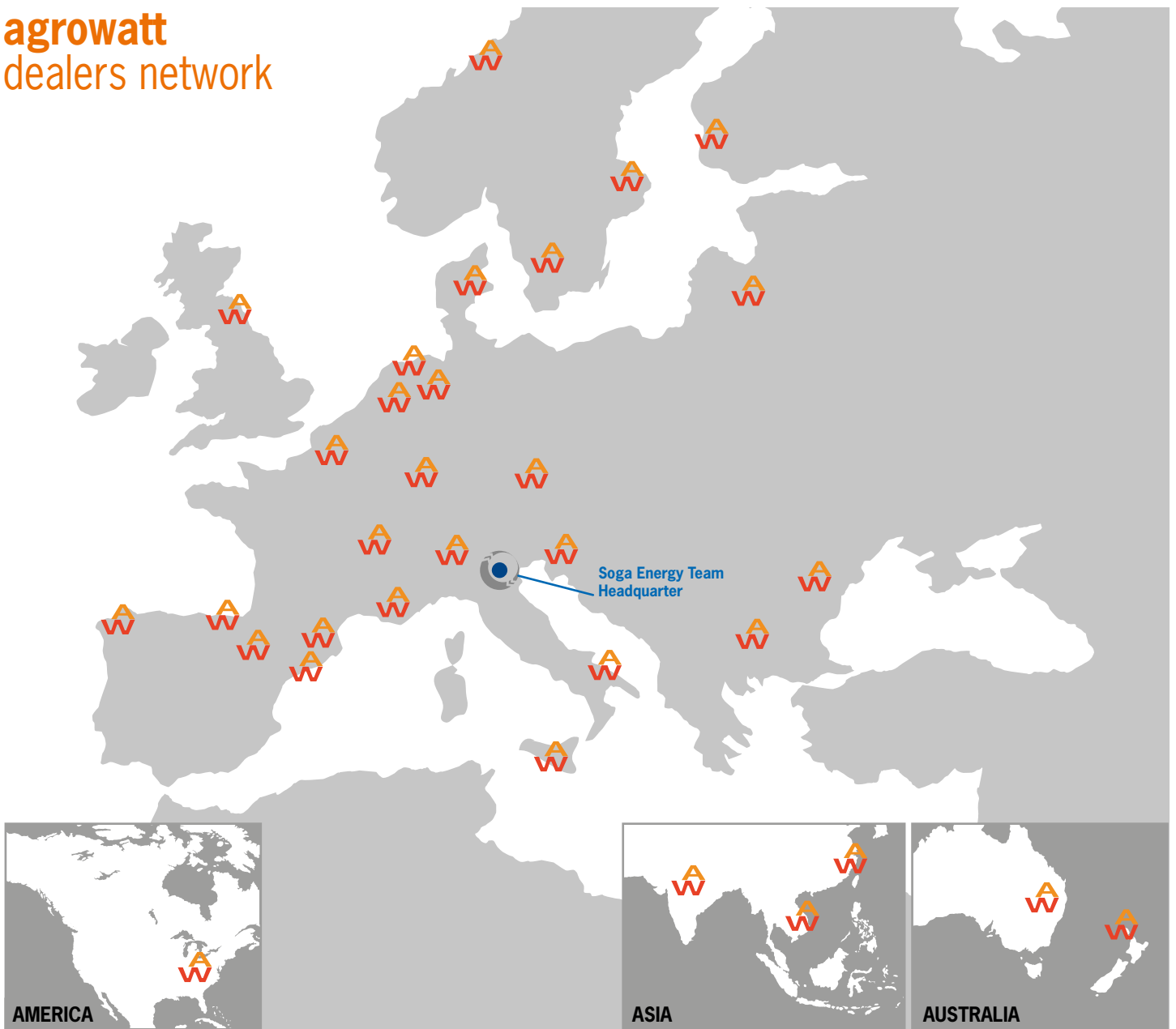
AGROWATT also means full control thanks to the integrated panel with sockets, magnetothermic switch, hour counter, voltmeter, frequencymeter and ammeter, all of this provided as a standard for greatest control: users can monitor and track all working parameters at any time.

Special versions are available with power connectors and dedicated features.



The complete descriptions of panels are available also in the AGROWATT price list

agrowatt dealers network



Warranty conditions

Soga guarantees the own Agrowatt alternators for a period of 24 months starting from the invoice date. We confirm that warranty is directed only to Soga customers to which we respond. Soga does not grant warranty to those who have not directly purchased the product from the factory, in spite of the possession of it. Within the above mentioned terms, Soga commits itself to supply free of charge those spare parts that, according to its judgment or to the one of an authorized representative, appear with manufacturing or material defects or, always to its judgment, to directly or through an authorized center carry out the repairing without undertaking transport costs. We anyhow exclude forms of responsibility or obligation for other costs, damages and direct or indirect loss caused by total or partial usage or impossible usage of the products. The repairing or the substitution will not extend or renew the warranty duration. Warranty will not be granted: whenever break-downs or problems may appear because of lack of experience, usage over the nominal performances, if the product had been modified or should return incomplete, disassembled or with modified nameplate data.

AGROWATT name and logo is a registered trademark of Soga SpA, for its improper use severe protection actions will be applied.



AGROWATT® is a brand of Soga S.p.A.
Via della Tecnica, 15 - 36075 Montecchio Maggiore (VI) - ITALY

Operating office
Via Tezze, 3 - 36073 Cereda di Cornedo Vicentino (VI) - ITALY
Ph. +39 0445 450500 • agrowatt@sogaenergyteam.com

sogaenergyteam.com/agrowatt | agrowatt.de

soga  energyteam

SOGA DEUTSCHLAND Sales office of Soga S.p.A.
Fritz-Vomfelde-Str. 6 - 40547 Düsseldorf - GERMANY
Ph. +49 211 302348 124 - soga@sogaenergyteam.de

