

Generators for high frequency
concrete vibrators




MADE IN ITALY

 **soga**[®]

Rotating converters

EC90-16
EC90-32



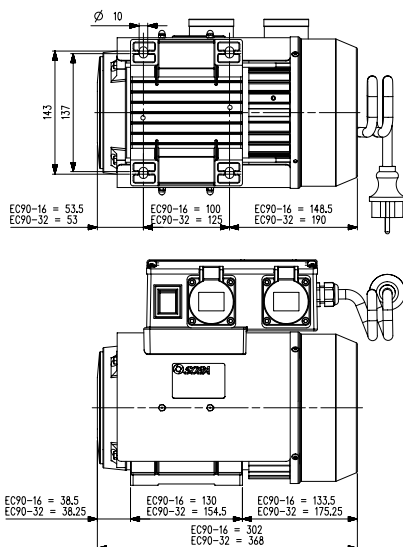
EC90-45



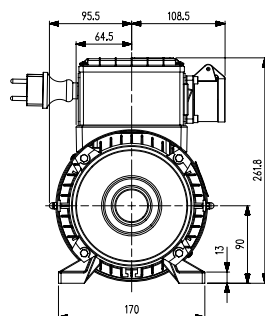
general features

- Asynchronous motor + High frequency permanent magnet generator
- EN 600034-1
- Insulation class F
- IP44
- Input voltage (electric motor): single-phase 230V/50Hz or three-phase 400V/50Hz
- Output voltage (generator): three-phase 42V/200Hz
- Aluminium housing with steel protection carter, epoxy powders painted
- ABS shock-resistant box on single-phase models equipped with: On/off switch + 2x32A sockets + 1,5-mt-cable + single-phase schuko plug
- Metal box on three-phase model equipped with: 2x32A sockets + 1,5-mt-cable + three-phase CEE plug

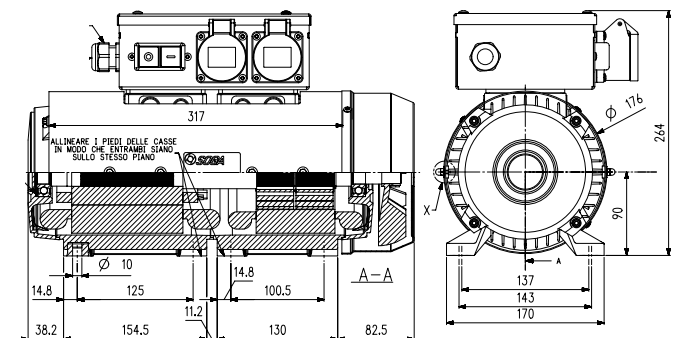
models	asynchronous motor		permanent magnet generator			mass (Kg)	
	kW (P1)	V - Hz	kVA (50Hz)	I (42V)	V - Hz		
EC90-16	1,5	1 phase 230 - 50	1,1	16 A	42 - 200	2	17
EC90-32	3	1 phase 230 - 50	2,2	32 A	42 - 200	2	25
EC90-45	4,5	3 phase 400 - 50	3,5	45 A	42 - 200	2	30



EC90-16 / EC90-32



EC90-45



Plug & Play rotating converters



PWH

PW

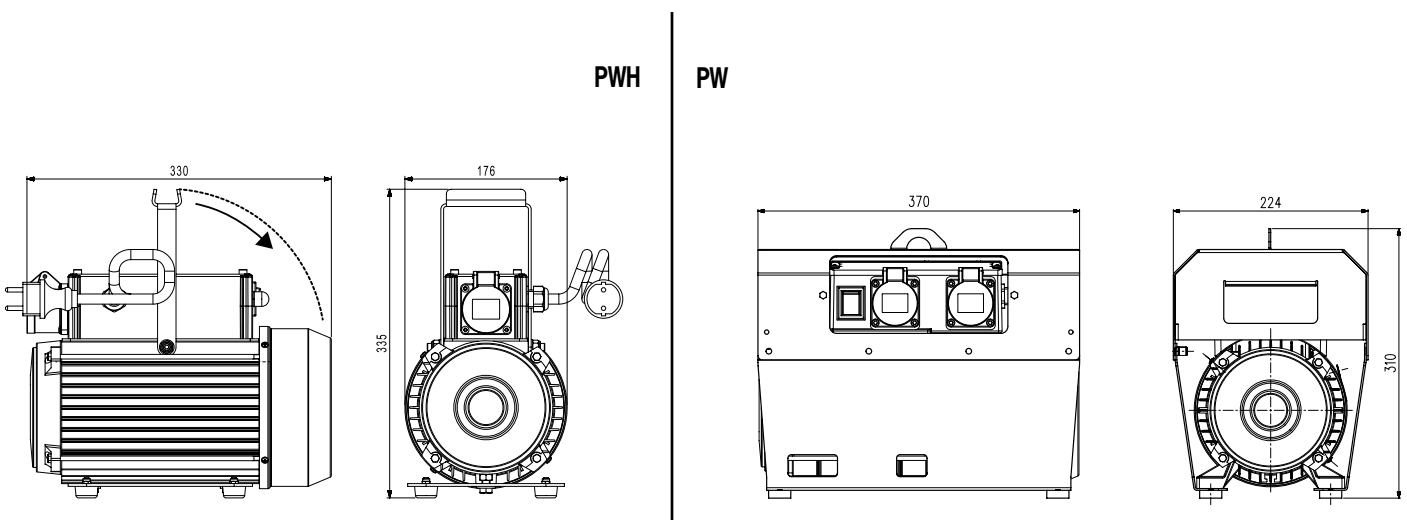
general features

POKERWATT is a range of Plug & Play electroconverters ready to use, single-phase AC input, V42/200Hz output, currently 12 Amps to 32 Amps, highly performing with neodymium magnets.

POKERWATT is provided in 2 versions:

- **HANDY:** light, sturdy and easy to carry with a practical foldable handle
- **CASE:** equipped with a 2-mm-thick steel case enhancing steadiness, durability, portability, mechanical strength and protection against accidental hits and concrete falls

	models	asynchronous motor		permanent magnet generator			mass (Kg)	
		kW (P1)	V - Hz	kVA (50Hz)	I (42V)	V - Hz		32 A sockets
HANDY	PWH-12	1,2	1 phase 230 - 50	0,85	12 A	42 - 200	1	15,5
	PWH-16	1,5	1 phase 230 - 50	1,1	16 A	42 - 200	1	18
CASE	PW-16	1,5	1 phase 230 - 50	1,1	16 A	42 - 200	2	21
	PW-32	3	1 phase 230 - 50	2,2	32 A	42 - 200	2	29

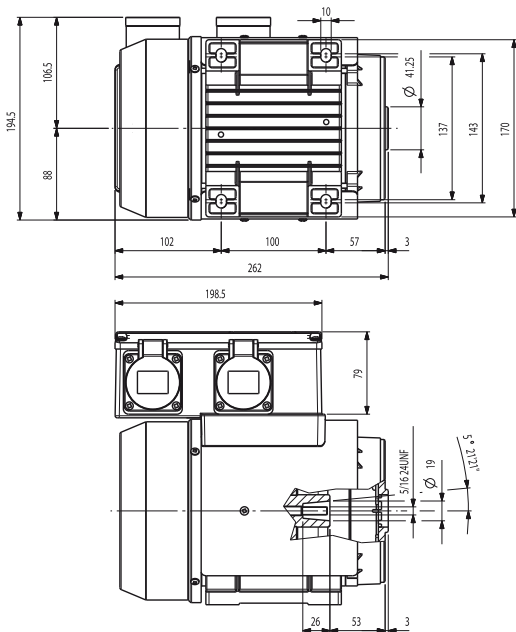


Engine-driven high frequency PMG generators

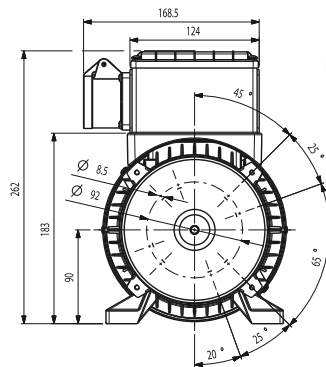
general features

- High frequency permanent magnet generator
- EN 60034-1
- Insulation class F
- IP44
- Output voltage: three-phase 42V/200Hz
- Aluminium housing with steel protection carter, epoxy powders painted
- ABS shock-resistant box on single-phase models equipped with 2x32A sockets
- Coupling for engines J609a cone 19

models	permanent magnet generator				mass (Kg)
	kVA (50Hz)	I (42V)	V - Hz	32 A sockets	
MC90-16	1,1	16 A	42 - 200	2	10,9
MC90-32	2,2	32 A	42 - 200	2	12,5
MC90-45	3,5	45 A	42 - 200	2	13,3



MC90



WARRANTY POLICY

Please take note that the products described in this catalogue are intended for manufacturers and not for end users. SOGA SpA does not supply any kind of warranty nor spare parts to end users. Please see our general terms of supply on our website: sogaenergyteam.com/general-terms-of-supply



Soga S.p.A.
Via della Tecnica, 15 • 36075 Montecchio Maggiore (VI) • ITALY
Phone +39 0444 747700
sales.soga@sogaenergyteam.com

sogaenergyteam.com

